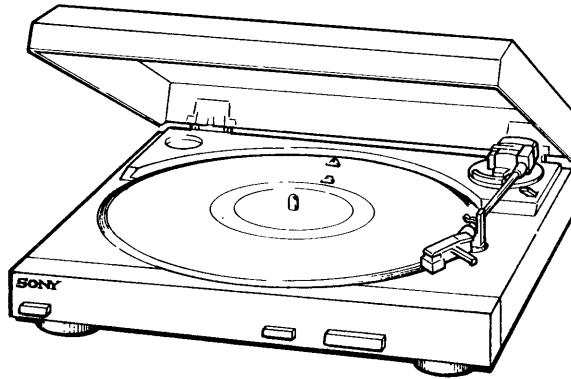


PS-D707/D707P

SERVICE MANUAL

*AEP Model
E Model
Tourist Model*
PS-D707

UK Model
PS-D707P



PS-D707P is the STEREO
TURNTABLE SYSTEM
in LBT-D607CD/707CD

Photo: PS-D707

SPECIFICATIONS

Turntable

Platter	30cm (12 in.)
Motor	DC servo motor
Drive system	Belt drive
Speed	33 1/3 rpm/45 rpm switchable
Wow and flutter	0.15% (WRMS)
Signal-to-noise ratio	65 dB (DIN-B)
Automatic system	Return, reject, lead in

Tonearm

Type	Dynamically balanced
Pivot-to-stylus length	206 mm (7 7/8 in.)
Overall arm length	235 mm (9 3/8 in.)

Cartridge

Type	Moving magnet type
Frequency response	20 Hz-20kHz
Stylus	ND-155G

General

Dimensions	355 × 93.5 × 355 mm (w/h/d) (14 × 3 3/4 × 14 inches)
Weight	Approx. 2.6 kg (4 lb 14 oz)
Power requirements	D707: AEP, Germany, Italian models 220 V AC, 50/60 Hz D707: Australia model 240 V AC, 50 Hz D707: E, Saudi Arabia models 110-120 V, 220-240 V adjustable, 50/60 Hz
Power consumption	4 W
Accessory supplied	45-rpm adaptor (1)
Optional accessory	Replacement stylus ND-155G

Design and specifications subject to change without notice.

Note

This appliance conforms with EEC Directive 87/308/EEC regarding interference suppression.

Note for Cartridge

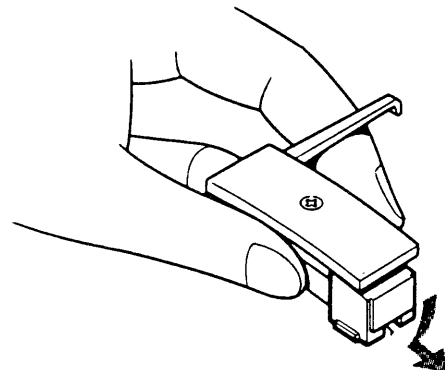
Be careful not to use any cartridge except for specified one (Part No.: 4-944-756-01) as balance weight of pick up arm assy is fixed.

REPLACING THE STYLUS

Replace the stylus after about 400 hours of use because using a worn stylus will damage records.

An ND-155G replacement stylus is available at your Sony dealer. Be sure to turn the amplifier off before proceeding with replacement.

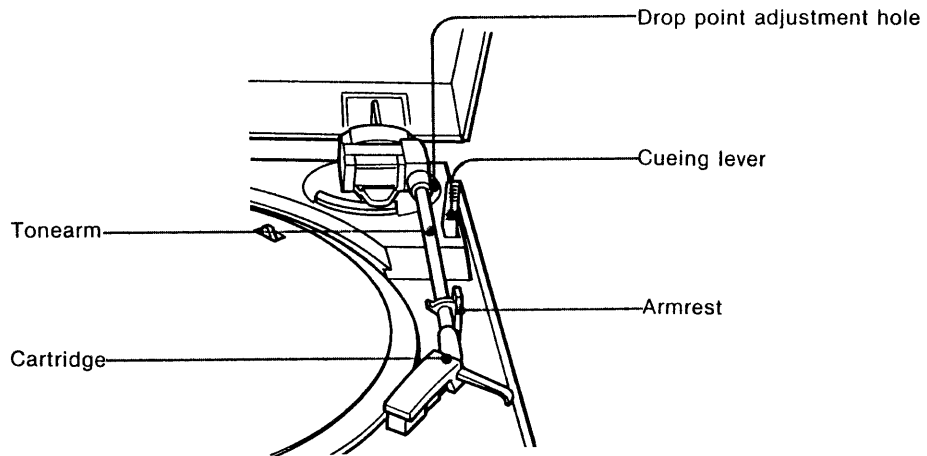
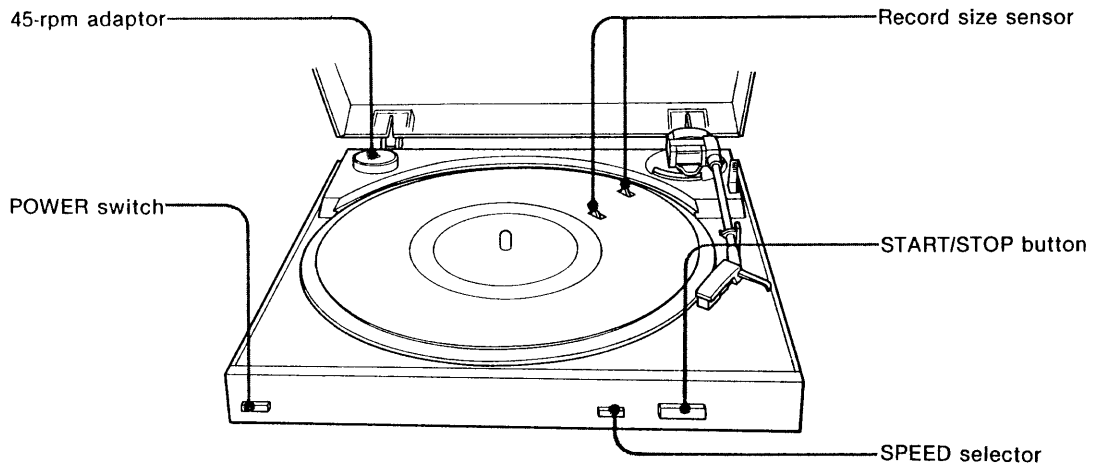
- 1 While holding the cartridge, detach the stylus assembly as illustrated.
- 2 Insert the new stylus into the cartridge.



STEREO TURNTABLE SYSTEM
SONY®

SECTION 1 GENERAL

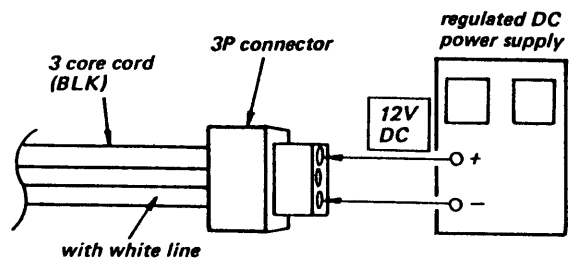
1-1. LOCATION OF CONTROLS



REPAIRING PRECAUTION (PS-D707P only)

[To supply B+ voltage]

The power of this unit is fed from LBT-D607CD or LBT-D707CD. Because of this, connect the regulated power supply as illustrated right when this unit alone operates.



1-2. TONEARM DROP-POINT ADJUSTMENT

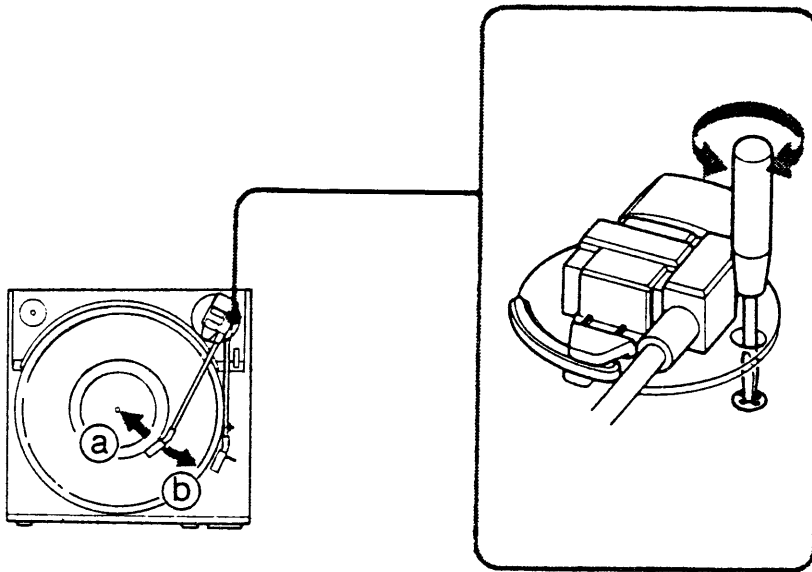
The tonearm drop-point during auto play has been factory-adjusted. If necessary, readjust it as follows.

To readjust the drop-point inward (a), turn the screw clockwise with a screwdriver.

To readjust the drop-point outward (b), turn the screw counterclockwise.

If the tonearm does not return to the arm rest automatically after play

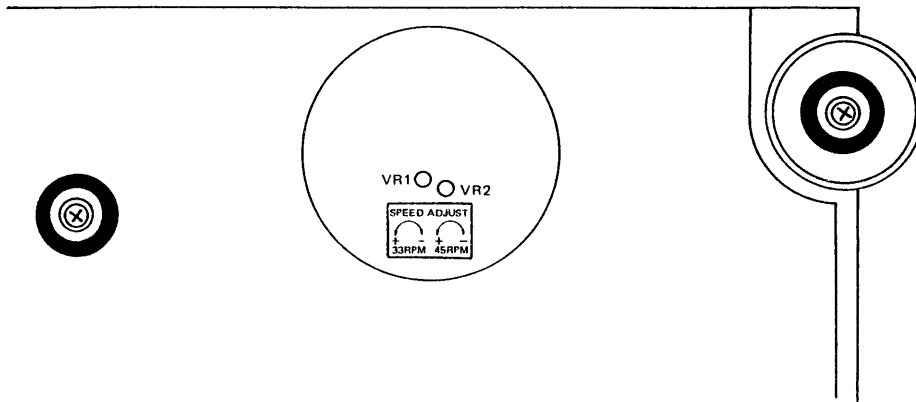
Turn the adjustment screw counterclockwise.



1-3. Speed Adjustment

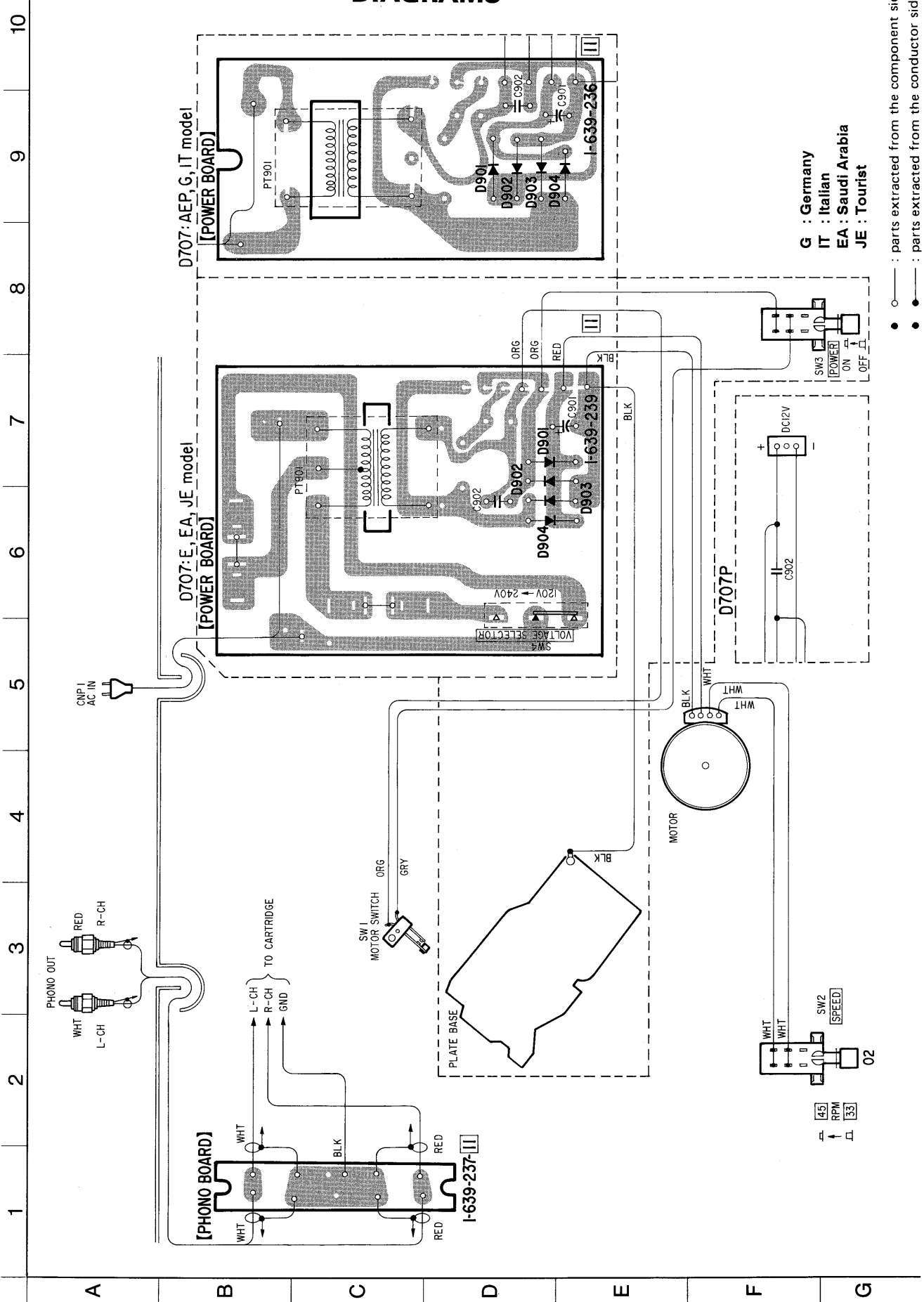
Note: Be sure to perform 45rpm adjustment before 33 rpm.

1. Place a stroboscope board on the turntable sheet.
2. Set the SPEED switch to 45.
Press the START button.
Adjust VR2 so that the striped pattern of stroboscope board is stationary.
3. Set the SPEED switch to 33.
Adjust VR1 in the same way.

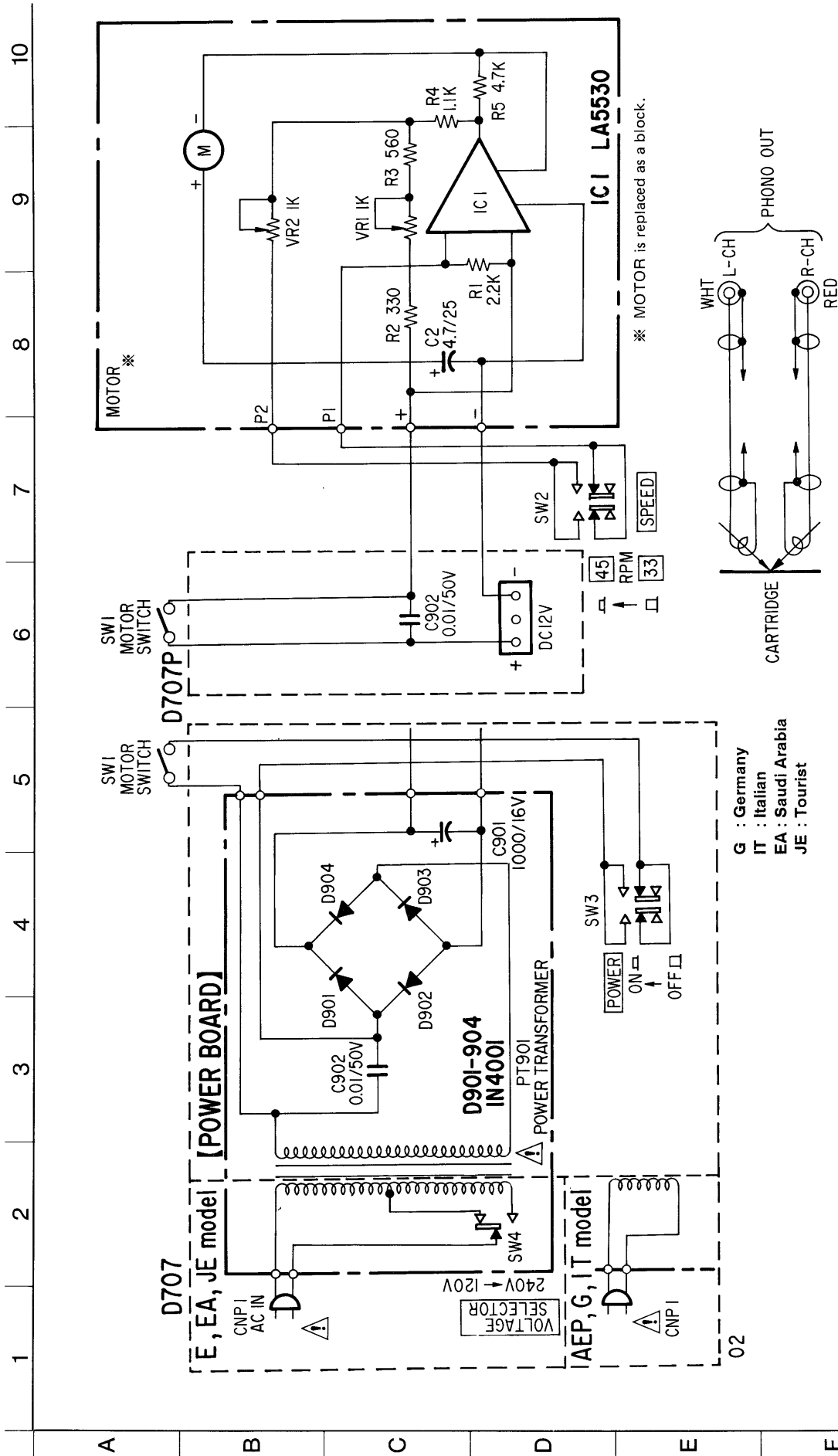


SECTION 2 DIAGRAMS

2-1. PRINTED WIRING BOARDS



2-2. SCHEMATIC DIAGRAM



Note:

- All capacitors are in μF unless otherwise noted. pF: μF 50WV or less are not indicated except for electrolytics and tantalums.
- All resistors are in Ω and $\frac{1}{4}\text{W}$ or less unless otherwise specified.

Note: The components identified by mark or dotted line with mark are critical for safety. Replace only with part number specified.

G : Germany
 IT : Italian
 EA : Saudi Arabia
 JE : Tourist

SECTION 3 EXPLODED VIEWS

NOTE:

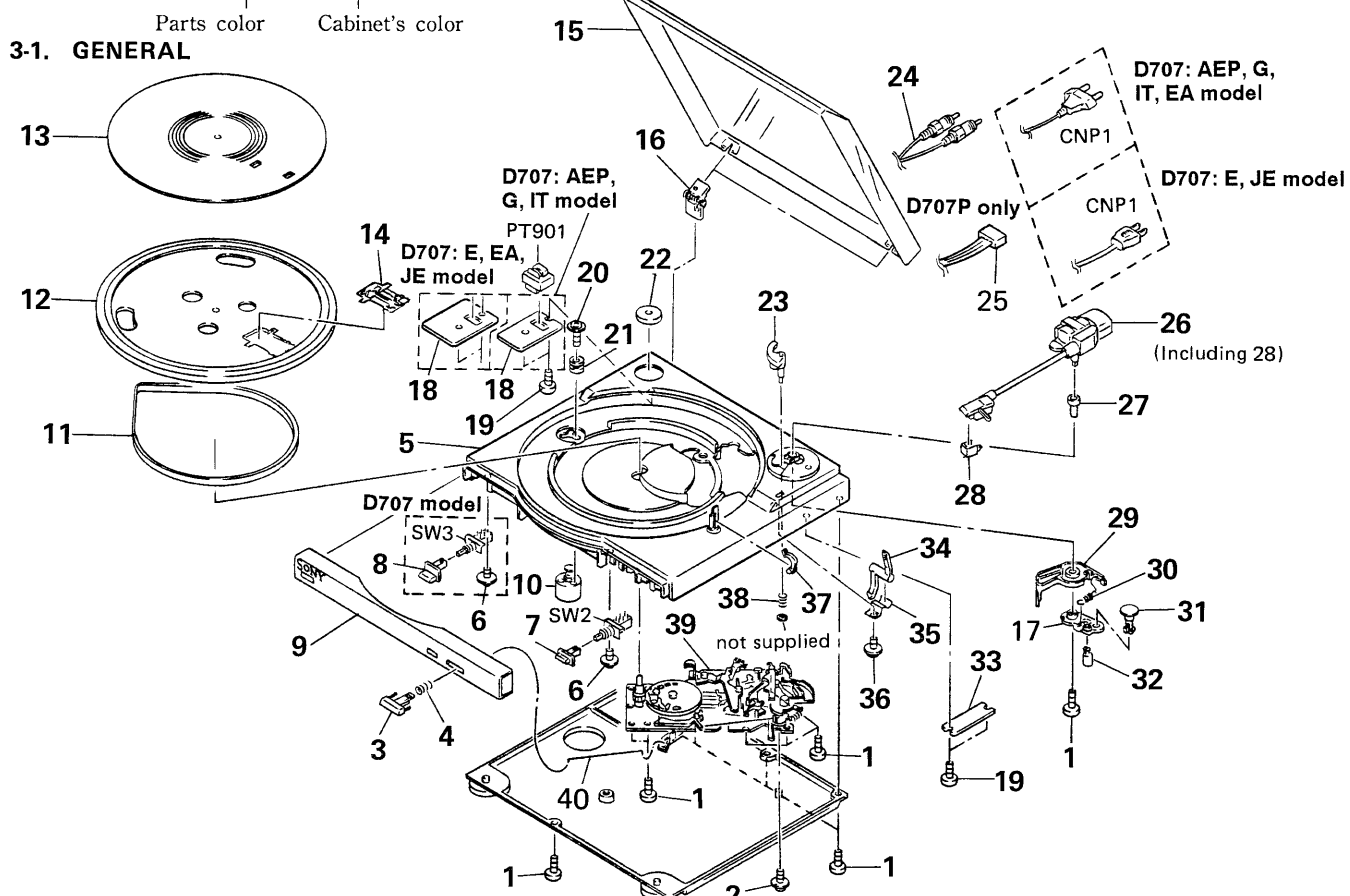
- -XX, -X mean standardized parts, so they may have some differences from the original one.
- The construction parts of an assembled part are indicated with a collation number in the remark column.
- Color indication of Appearance Parts
Example:
KNOB, BALANCE (WHITE).... (RED)

- Items marked "*" are not stocked since they are seldom required for routine service. Some delay should be anticipated when ordering these items.
- The mechanical parts with no reference number in the exploded views are not supplied.

G : Germany EA : Saudi Arabia
IT : Italian JE : Tourist

The components identified by mark **A** or dotted line with mark **A** are critical for safety. Replace only with part number specified.

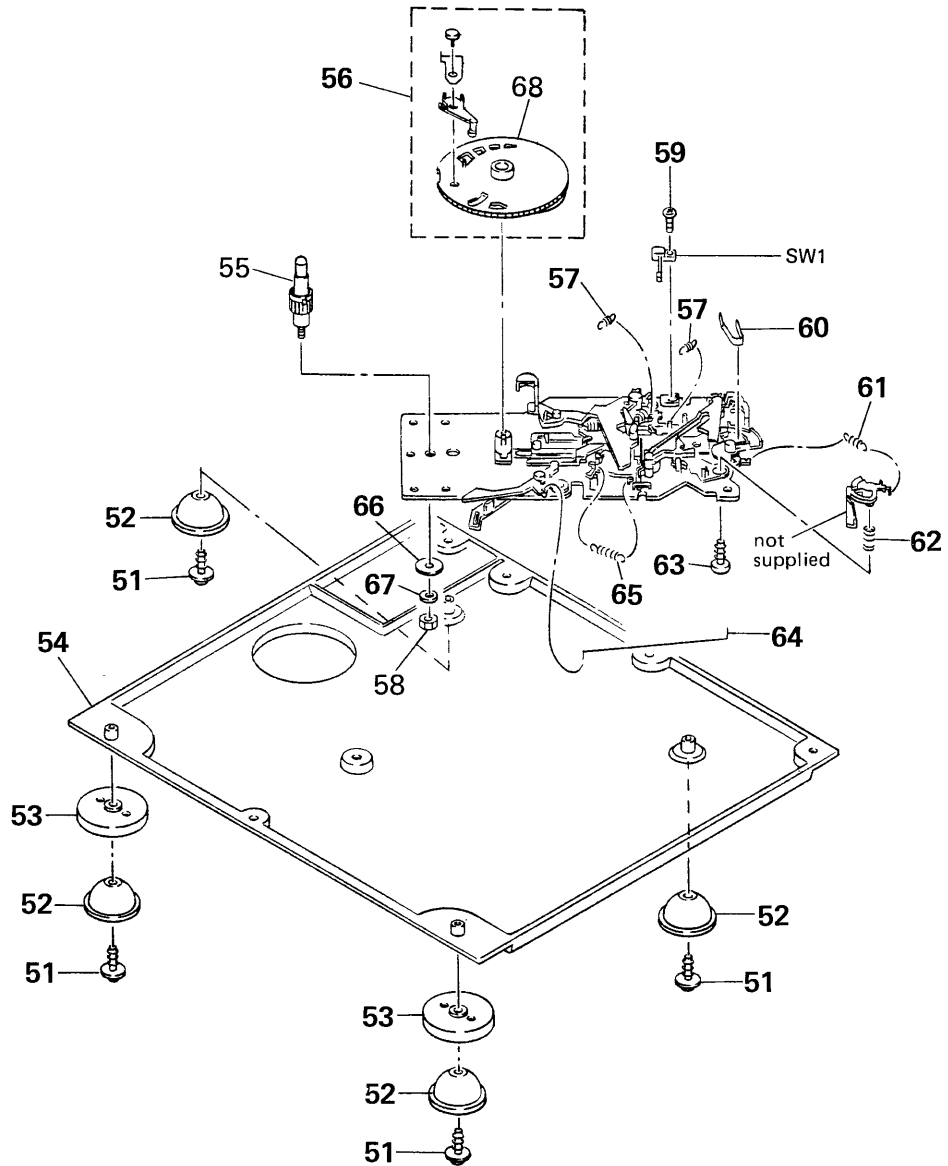
When indicating parts by reference number, please include the board.



Ref. No.	Part No.	Description	Remark
1	4-946-233-01	SCREW #2WPT 3X12Y	
2	4-946-234-01	SCREW #2WPT 3X10X12Y	
3	4-944-680-01	BUTTON, START STOP(BLACK) (D707:EA3, JE, IT)	
3	4-944-680-11	BUTTON, START STOP(GRAY) (D707:AEP, G, EA3, JE, E/D707P)	
4	4-944-686-01	SPRING, RETURN	
* 5	4-944-678-01	CABINET, UPPER	
6	8-099-230-08	SCREW 3X8	
7	4-944-683-01	BUTTON, SPEED(BLACK) (D707:EA3, JE, IT, E)	
7	4-944-683-11	BUTTON, SPEED(GRAY) (D707:AEP, G, EA3, JE/D707P)	
8	4-944-681-01	BUTTON, POWER(BLACK) (D707:EA3, JE, IT)	
8	4-944-681-11	BUTTON, POWER(GRAY) (D707:AEP, G, EA3, JE, E)	
9	A-4660-102-A	PANEL (G) ASSY, FRONT(GRAY) (D707:AEP, G, EA3, JE, E)	
9	A-4660-103-A	PANEL (P-G) ASSY, FRONT(D707P)	
9	A-4660-104-A	PANEL (B) ASSY, FRONT(BLACK) (D707:EA3, JE, IT)	
10	1-541-872-11	MOTOR, DC (WITH PULLEY)	
11	4-944-743-01	BELT	
12	4-944-744-01	PLATER	
13	4-950-309-01	SHEET, RUBBER	
14	A-4325-130-A	SENSOR ASSY	
15	A-4604-844-A	COVER ASSY, DUST	
16	4-944-691-01	HINGE	
17	4-944-703-01	ARM (A), FEED	
* 18	1-639-239-11	POWER BOARD(D707:EA3, JE, E)	
* 18	1-639-236-11	POWER BOARD(D707:AEP, G, IT)	

Ref. No.	Part No.	Description	Remark
19	4-944-729-01	SCREW	
20	4-944-694-01	SCREW, SETTING MOTOR	
21	4-944-692-01	CUSHION, MOTOR	
22	3-701-806-00	ADAPTOR, EP	
23	4-944-675-01	ARM, ELEVATION	
24	1-551-294-00	CORD (PHONO)	
25	1-590-871-11	CORD (WITH CONNECTOR) 3P(D707P)	
26	A-4604-840-A	ARM ASSY, TONE	
* 27	4-944-672-01	BUSHING, TONE ARM	
28	4-944-756-01	CARTRIDGE	
29	4-944-704-01	ARM (B), FEED	
30	4-944-705-01	SPRING, FEED ARM	
31	4-944-759-01	ADJUSTMENT, CAM LEAD IN	
32	4-944-760-01	ADJUSTMENT, CAM LEAD AUTORETURN	
* 33	1-639-237-11	PC BOARD, PHONO	
34	4-944-674-01	LEVER, CUING	
* 35	4-944-685-01	BRACKET, CUING	
36	4-944-695-01	SCREW	
37	4-944-673-01	LOCKER, ARM	
38	4-944-687-01	SPRING, ELEVATION	
* 39	A-4604-842-A	MECHANICAL ASSY, BASE	
40	4-944-688-01	LINK, START CUT	
△ CNP1	1-555-750-00	CORD, POWER(D707:AEP, G, EA3, IT)	
△ CNP1	1-551-188-XX	CORD, POWER(D707:JE, E)	
△ PT901	1-450-508-11	TRANSFORMER, POWER(D707)	
SW2	1-572-744-11	SWITCH, PUSH(SPEED)	
SW3	1-572-744-11	SWITCH, PUSH(POWER) (D707)	

3-2. MD SECTION



Ref.No.	Part No.	Description	Remark	Ref.No.	Part No.	Description	Remark
51	4-946-234-01	SCREW #2WPT 3X10X12Y		61	4-944-723-01	SPRING, CONTROL	
52	4-944-693-01	RUBBER, FOOT		62	4-944-722-01	SPRING, CUING CAM	
53	4-944-679-01	COVER, FOOT		63	4-946-233-01	SCREW #2WPT 3X12Y	
* 54	4-944-684-01	COVER, BOTTOM		64	4-944-727-01	LINK, REJECT	
55	A-4604-892-A	SHAFT ASSY, CENTER		65	4-944-724-01	SPRING, MECHANICAL	
56	A-4325-128-A	GEAR ASSY, RING		66	4-944-731-01	WASHER, RAIN	
* 57	4-944-725-01	SPRING, SWITCH		67	4-944-732-01	WASHER, SPRING	
58	4-944-730-01	NUT		68	4-944-738-01	GEAR, RING	
59	4-944-728-01	SCREW		SW1	1-572-746-11	SWITCH, LEAF	
* 60	4-944-726-01	BRACKET, LOCKER					

POWER

**SECTION 4
ELECTRICAL PARTS LIST**

NOTE:

- Due to standardization, replacements in the parts list may be different from the parts specified in the diagrams or the components used on the set.
- -XX, -X mean standardized parts, so they may have some difference from the original one.
- RESISTORS
All resistors are in ohms
METAL: Metal-film resistor
METAL OXIDE: Metal oxide-film resistor
F: nonflammable

- Items marked "*" are not stocked since they are seldom required for routine service. Some delay should be anticipated when ordering these items.
- SEMICONDUCTORS
In each case, u:μ, for example:
uA.....:μA....., uPA.....:μPA.....
uPB.....:μPB....., uPC.....:μPC.....
uPD.....:μPD.....
- CAPACITORS
uF:μF
- COILS
uH:μH

- G : Germany
- IT : Italian
- EA : Saudi Arabia
- JE : Tourist

The components identified by mark Δ or dotted line with mark Δ are critical for safety. Replace only with part number specified.

When indicating parts by reference number, please include the board.

Ref.No.	Part No.	Description	Remark
*	1-639-236-11	POWER BOARD(D707:AEP, G, IT)	
*	1-639-239-11	POWER BOARD(D707:EA3, JE, E)	

		< CAPACITOR >	
C901	1-124-360-00	ELECT 1000uF 20% 16V (D707)	
C902	1-136-153-00	FILM 0.01uF 50V	
		< CONNECTOR >	
Δ CNP1	1-555-750-00	CORD, POWER(D707:AEP, G, EA3, IT)	
Δ CNP1	1-551-188-XX	CORD, POWER(D707:JE, E)	
		< DIODE >	
D901	8-719-200-02	DIODE 10E2(D707)	
D902	8-719-200-02	DIODE 10E2(D707)	
D903	8-719-200-02	DIODE 10E2(D707)	
D904	8-719-200-02	DIODE 10E2(D707)	
		< TRANSFORMER >	
Δ PT901	1-450-508-11	TRANSFORMER, POWER(D707)	
		< SWITCH >	
SW4	1-572-745-11	SELECTOR, VOLTAGE(D707:EA3, JE, E)	

Ref.No.	Part No.	Description	Remark
		MISCELLANEOUS	

10	1-541-872-11	MOTOR, DC (WITH PULLEY)	
24	1-551-294-00	CORD (PHONO)	
25	1-590-871-11	CORD (WITH CONNECTOR) 3P(D707P)	
* 33	1-639-237-11	PC BOARD, PHONO	
Δ CNP1	1-555-750-00	CORD, POWER(D707:AEP, G, EA3, IT)	
Δ CNP1	1-551-188-XX	CORD, POWER(D707:JE, E)	
SW1	1-572-746-11	SWITCH, LEAF	
SW2	1-572-744-11	SWITCH, PUSH(SPEED)	
SW3	1-572-744-11	SWITCH, PUSH(POWER) (D707)	

		ACCESSORIES & PACKING MATERIALS	

3-754-642-11		MANUAL, INSTRUCTION(D707:AEP, EA3, JE, E) (ENGLISH, FRENCH, SPANISH, PORTUGUESE)	
3-754-642-41		MANUAL, INSTRUCTION(D707:AEP, G, IT) (GERMAN, DUTCH, SWEDISH, ITALIAN)	
*	4-944-749-01	CUSHION (FRONT)	
*	4-944-750-01	CUSHION (REAR)	
*	4-950-061-01	INDIVIDUAL CARTON(D707:AEP, G, EA3, JE, E)	
*	4-950-063-01	INDIVIDUAL CARTON(D707:EA3, JE, IT)	
*	4-950-064-01	INDIVIDUAL CARTON(D707P)	